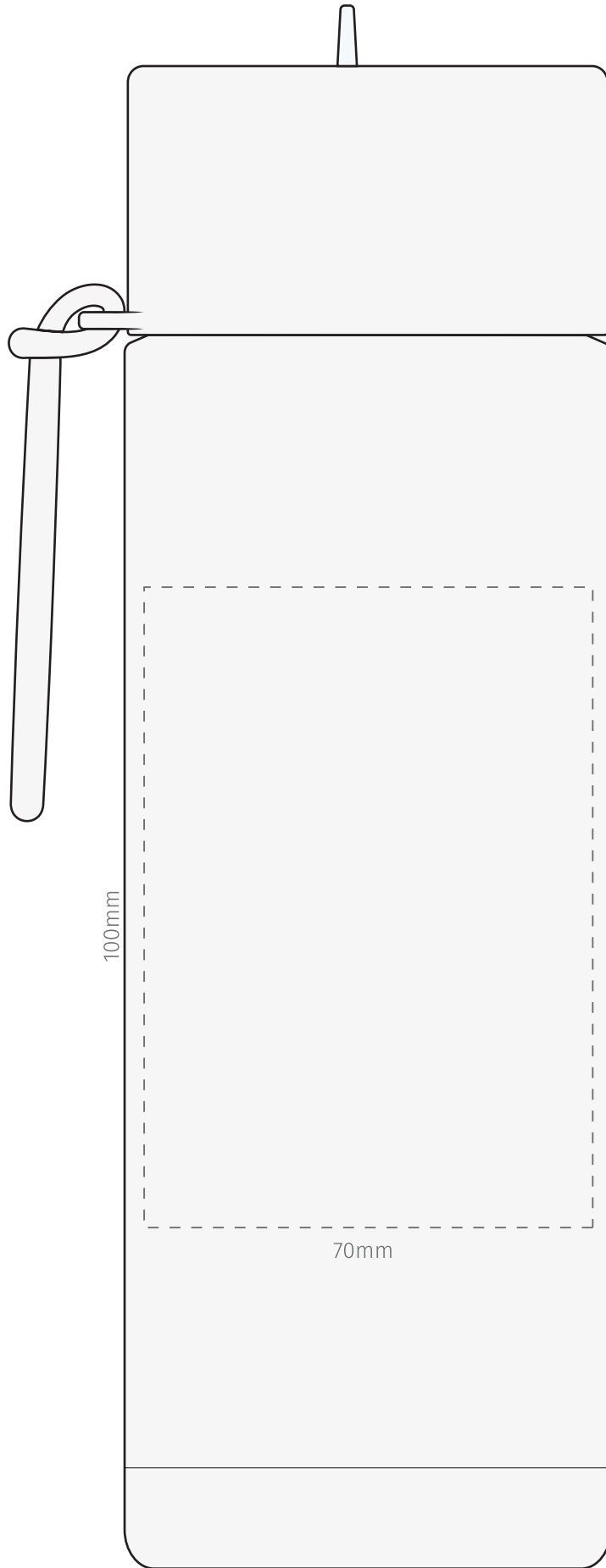


**TEMPLATE:**  
■ AQUAFY BOTTLE



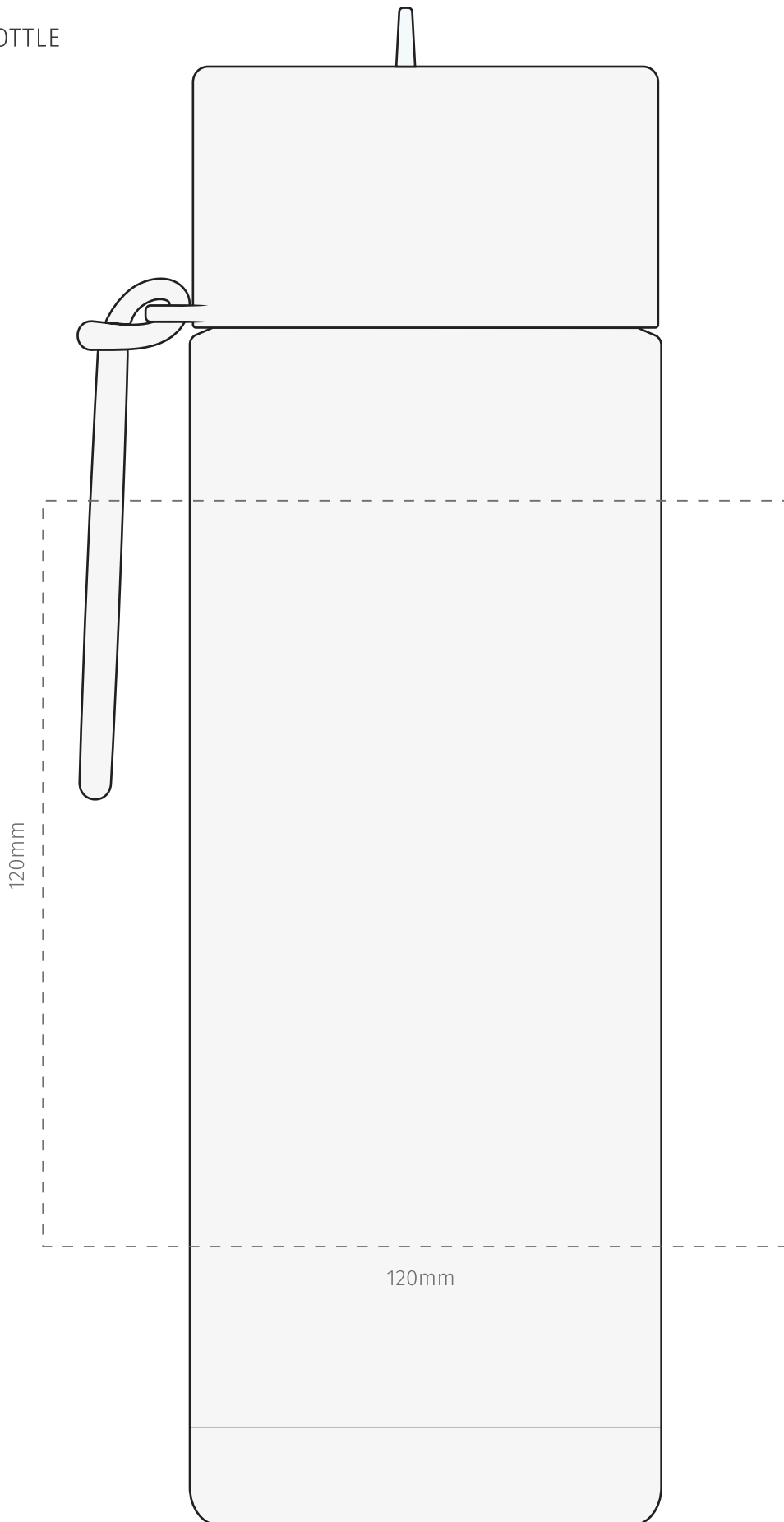
Item shown at 100% actual size when viewed on A4 paper

**BRANDING - Engraved**

Maximum engrave area 70 x 100mm



**TEMPLATE:**  
■ AQUAFY BOTTLE



Item shown at 100% actual size when viewed on A4 paper

**BRANDING - Screenprint**

120mm x 120mm

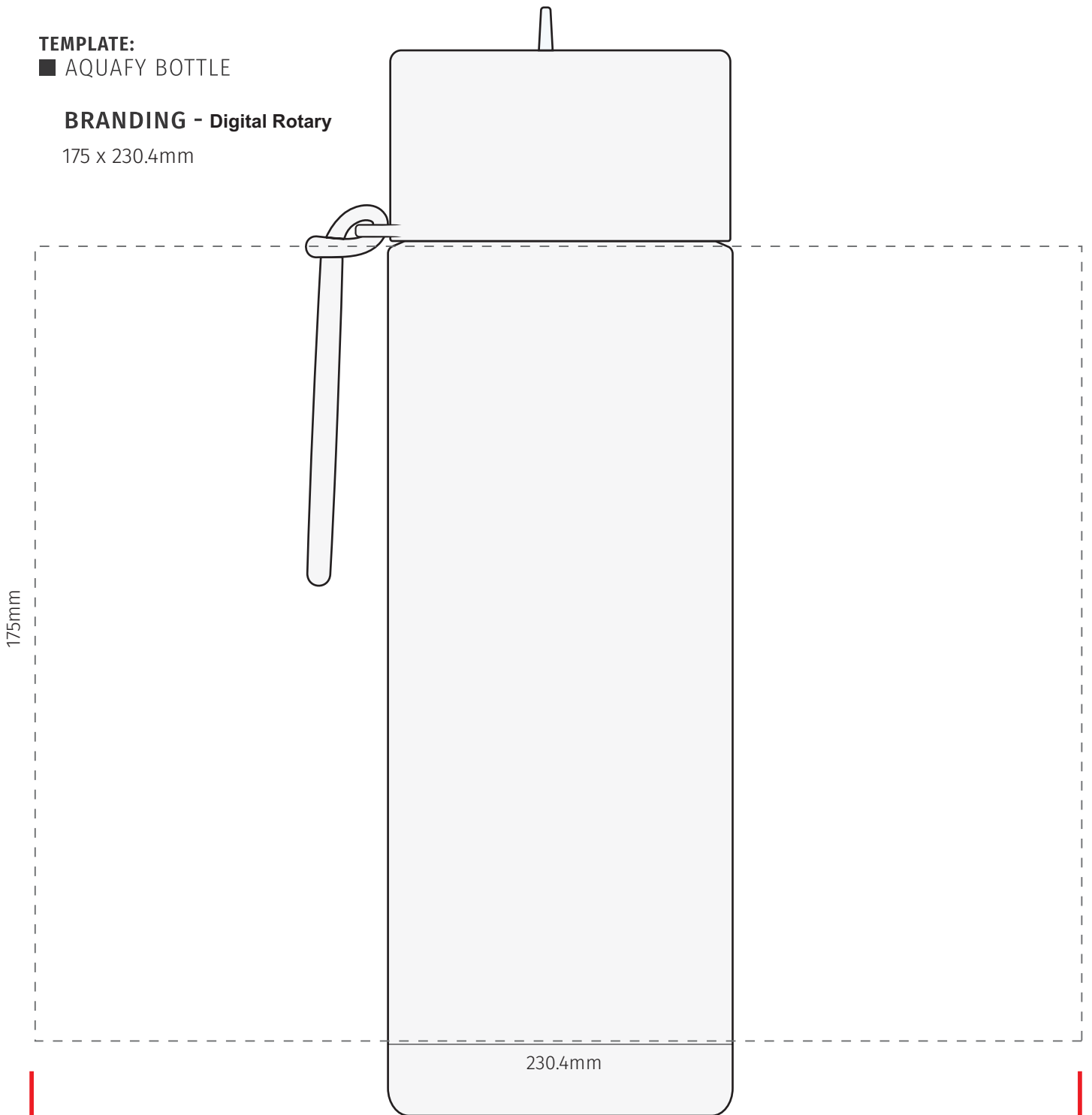


**TEMPLATE:**

■ AQUAFY BOTTLE

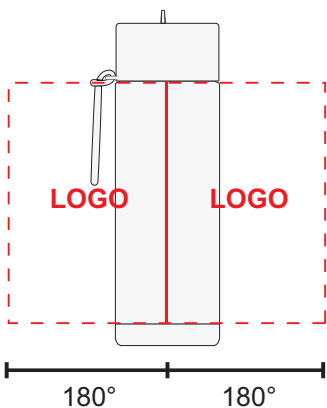
**BRANDING - Digital Rotary**

175 x 230.4mm



Item shown at 80% actual size when viewed on A4 paper

Artwork will be wrapped around the bottle. The left and right edges of this area meet. To avoid misalignment at the seam, ensure patterns or borders are seamless, and avoid placing important text near the edges.



**Branding with multiple logos**

If branding with multiple logos, and the goal is to have them on opposite sides of each other, please space them as shown in the example on the left.

